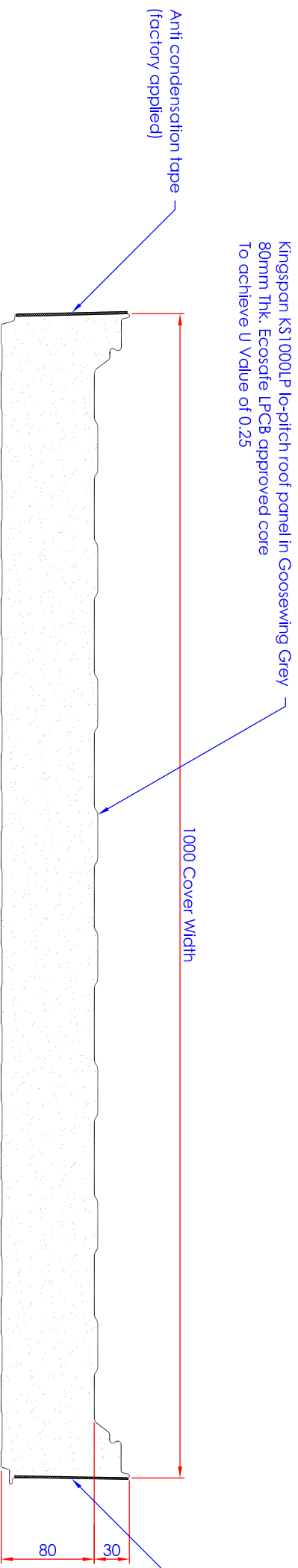
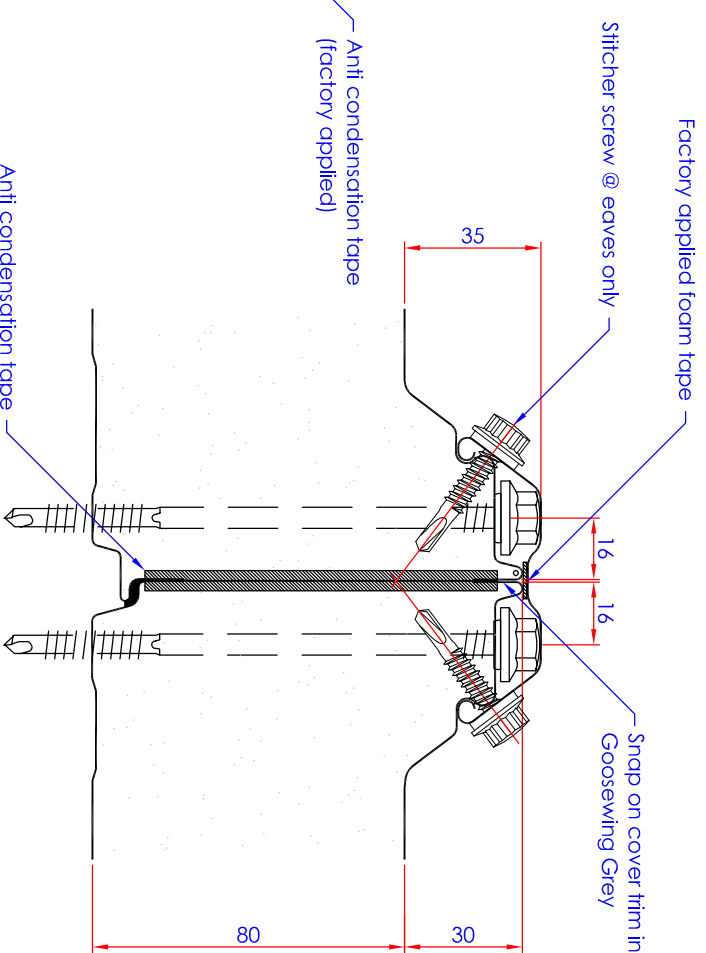


Please Note
To ensure correct panel installation, roof purlins must be correctly aligned prior to insertion of fixings

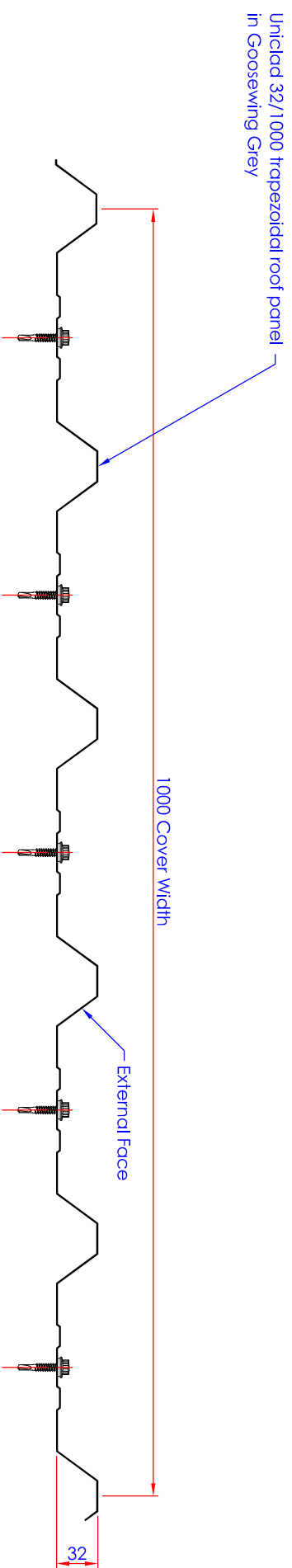
THIS DRAWING IS THE PROPERTY OF xxxxxxxx ROOFING & CLADDING LTD., AND NO INFORMATION CONTAINED HERE ON SHALL BE COPIED IN WHOLE OR IN PART, OR PASSED TO ANY OTHER PARTY WITHOUT WRITTEN CONSENT. COPYRIGHT IS RESERVED



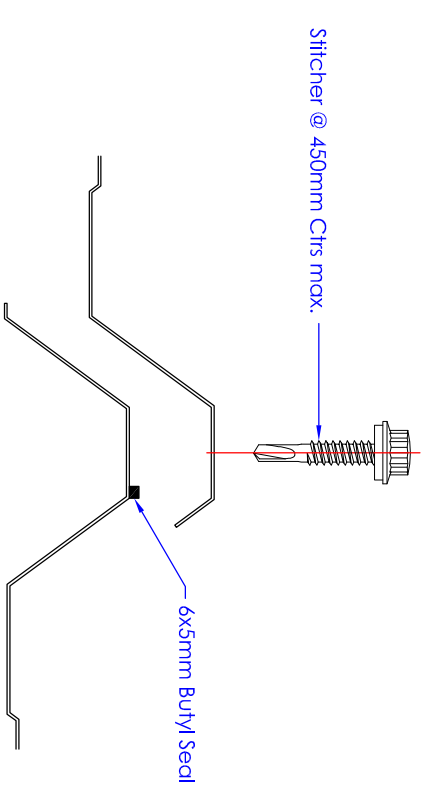
Main Roof Sheet Detail
(1:5)



Main Roof Sheet Joint Detail
(1:2)



Eaves Roof Sheet Detail
(1:5)



Eaves Roof Sheet Side Lap Detail
(1:2)

CLIENT	PDR Construction
CONTRACT	BMW - Sticker Lane, Bradford
TITLE	Mini - Roof Panel Details
DRAWN BY	Simon Nutt
DRAWING No.	
DATE	
SCALE	Varies